



82C931 Plug-and-Play Integrated Audio Controller

OPTi's 82C931 is a highly-integrated audio controller for PC sound applications. The 82C931 is a second generation, backward pin compatible to the OPTi 82C930 audio controller, that combines all of the features of the 82C930 along with support for the Microsoft/Intel Plug-and-Play specification and built-in FM synthesizer.

The 82C931 also provides front panel push-button volume control, external modem chip interface, serial EEPROM for further customization, support for 16-bit Type "F" fast DMA Playback and a serial port interface to an external DSP, wavetable controller.

The 82C931 includes the following functions: AT Bus interface, Sound Blaster™ Pro-compatible Digital Audio Processor, MIDI interface, Windows Sound System™ interface, FM synthesizer interface, 16-bit Codec/Mixer, Game Port timer, and IDE CD-ROM interface. The device also includes dual DMA channels that support full duplex operation for simultaneous record and playback, a silence mode, power down modes, and software programmable interrupts.

The 82C931 16-bit Sound Controller provides all of the functions and interfaces for the Sound Blaster Pro-compatible and Microsoft Windows Sound System-compatible card. The 82C931 is intended to provide an integrated audio solution for business audio, educational/entertainment sound and multimedia applications.

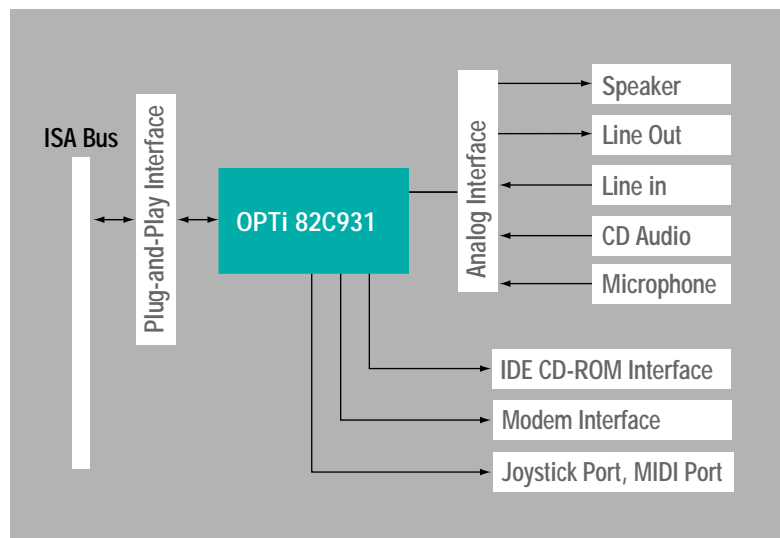
Features

- Integrated sound controller compatible with:
 - Sound Blaster Pro
 - Ad Lib
 - Windows Sound System
- Microsoft Plug-and-Play compatible, supports six logical devices:
 - Sound Blaster Pro, Windows Sound Synthesis, FM Synthesis
 - MPU-401 MIDI interface
 - CD-ROM interface
 - Joystick/Game Port
 - Modem
 - 82C931 control
- Supports external serial EEPROM
- External Modem chip interface
- Built-in high-quality 22-voice, 52-operator, OPFM music synthesizer with Enhanced Base feature
- Built-in 7-channel mixer: 5 stereo, 2 mono
- Built-in 16-bit Sigma Delta Stereo Codec
- Supports 235 sample rates from 4KHz to 48KHz
- Full duplex operation: record and playback simultaneously using two 8-bit or 16-bit DMA channels
- Supports IMA ADPCM, m-Law, A-Law decompression
- 8- or 16-bit sound data up to 48KHz stereo



82C931 Plug-and-Play Integrated Audio Controller

System Block Diagram



- Supports 16-bit Type "F" Fast DMA Playback
- Integrated MIDI UART with 8-byte FIFO for both in and out with MPU-401 interface
- Dual game port
- Built-in game port timer
- IDE CD-ROM interface
- Serial port interface to external DSP, wavetable controller
- All interfaces are software programmable, including:
 - I/O address
 - IRQ
 - DRQ
- Direct AT bus driving capabilities without additional buffer
- Power down modes

- Silence mode to turn off all audio functions
- Volume control push-button interface
- Pin compatible to the 82C930
- 100 pin PQFP package

Applications

The 82C931 is an optimized single chip solution with built-in Plug-and-Play functions, built-in FM synthesizer and 16-bit Sigma-Delta Stereo Codec to provide all of the features needed to create the following sound characteristics and applications:

- 16-bit sound quality Sound Blaster Pro and Windows Sound System compatible card
- 22 voice FM synthesis
- 16-bit CD-quality WAVE audio up to 44.1KHz stereo
- Game port
- MPU-401 MIDI interface
- Wavetable synthesis upgrade

Representatives & Distributors

UNITED STATES

Alabama/Mississippi
Concord Component Reps
tel: 205-772-8883
fax: 205-772-8262

California
Jones & McGeoy Sales
tel: 714-724-8080
fax: 714-724-8090

Florida
Engineered Solutions Ind. Inc.
tel: 305-784-0078
fax: 305-781-7722

Georgia
Concord Component Reps
tel: 404-416-9597
fax: 404-441-0790

Illinois
Micro-Tex, Inc.
tel: 708-885-8200
fax: 708-885-8210

Massachusetts
S-J New England
tel: 617-272-5552
fax: 617-272-5515

Michigan

Jay Marketing
tel: 313-459-1200
fax: 313-459-1697

New Jersey
S-J Associates, Inc.
tel: 609-866-1234
fax: 609-866-8627

New York
S-J Associates, Inc.
tel: 516-536-4242
fax: 516-536-9638

North & South Carolina
Concord Component Reps
tel: 919-846-3441
fax: 919-846-3401

Ohio/W. Pennsylvania
Lyons Corp.
tel: 513-278-0714
fax: 513-278-3609

Lyons Corp.
tel: 216-659-9224
fax: 216-659-9227

Lyons Corp.
tel: 614-895-1447
fax: Same

Virginia

S-J Associates, Inc.
tel: 703-533-2233
fax: 703-533-2236

Wisconsin
Micro-Tex, Inc.
tel: 414-542-5352
fax: 414-542-7934

INTERNATIONAL

Australia
Braemac Pty. Ltd.
tel: 61-2-550-6600
fax: 61-2-550-6377

China
Legend Electronic Components, Ltd.
tel: 852-2776-7708
fax: 852-2652-2301

France
Tekelec Airtronic, France
tel: 33 (1) 46-23-24-25
fax: 33 (1) 45-07-21-91

India
Spectra Innovation
tel: 91-80-558-8323/3977
fax: 91-80-558-6877

Korea

Woo Young Tech Co., Ltd.
tel: (02) 369-7099
fax: (02) 369-7091

Singapore
Instep Microsolutions Pte Ltd.
tel: 65-741-7507
65-741-7530
fax: 65-741-1478

South America
Uniao Digital
tel: 55-11-536-4121
fax: 55-11-533-6780

Sales Offices

HEADQUARTERS

OPTi Inc.
888 Tasman Drive
Milpitas, CA 95035
tel: 408-486-8000
fax: 408-486-8001
www: <http://www.opti.com/>

Japan
OPTi Japan KK
tel: +81-3-5454-0178
fax: +81-3-5454-0168

Taiwan
OPTi Inc.
tel: +886-2-325-8520
fax: +886-2-325-6520

United Kingdom & Europe
OPTi Inc.
tel: +44-1-869-321-622
fax: +44-1-869-241-448

UNITED STATES

Northern California
OPTi Inc.
tel: 408-486-8000
fax: 408-486-8001

Southern California
OPTi Inc.
tel: 714-838-0589
fax: 714-838-9753

Florida
OPTi Inc.
tel: 407-395-4555
fax: 407-395-4554

Texas
OPTi Inc.
tel: 713-257-1854
fax: 713-257-1825

