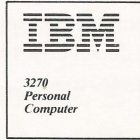
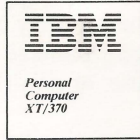
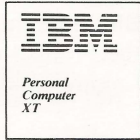
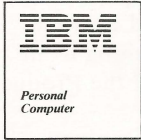
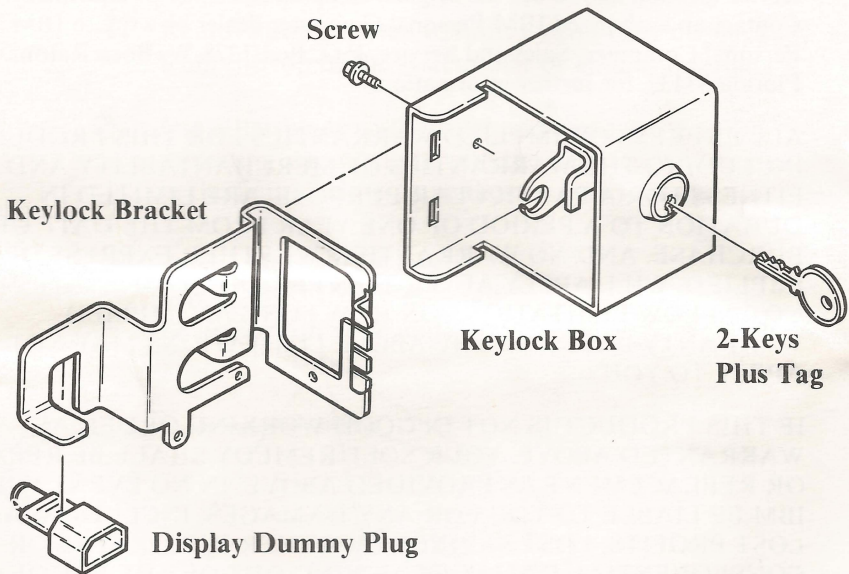


Option Instructions

IBM Personal Computer Keylock Assembly



This carton contains the following:



If any items are missing or damaged, notify your place of purchase.

LIMITED WARRANTY

The International Business Machines Corporation warrants this IBM Personal Computer Product to be in good working order for a period of one year from the date of purchase from IBM or an authorized IBM Personal Computer dealer. Should this Product fail to be in good working order at any time during this warranty period, IBM will, at its option, repair or replace this Product at no additional charge except as set forth below. Repair parts and replacement Products will be furnished on an exchange basis and will be either reconditioned or new. All replacement parts and Products become the property of IBM. This limited warranty does not include service to repair damage to the Product resulting from accident, disaster, misuse, abuse, or non-IBM modification of the Product.

Limited Warranty service may be obtained by delivering the Product during the warranty period to an authorized IBM Personal Computer dealer or IBM Service Center and providing proof of purchase date. If this Product is delivered by mail, you agree to insure the Product or assume risk of loss or damage in transit, to prepay shipping charges to the warranty service location and to use the original shipping container or equivalent. Contact an authorized IBM Personal Computer dealer or write to IBM Personal Computer, Sales and Service, P.O. Box 1328-W, Boca Raton, Florida 33432, for further information.

ALL EXPRESS OR IMPLIED WARRANTIES FOR THIS PRODUCT INCLUDING THE WARRANTIES OF MERCHANTABILITY AND FITNESS FOR A PARTICULAR PURPOSE, ARE LIMITED IN DURATION TO A PERIOD OF ONE YEAR FROM THE DATE OF PURCHASE, AND NO WARRANTIES, WHETHER EXPRESS OR IMPLIED, WILL APPLY AFTER THIS PERIOD. SOME STATES DO NOT ALLOW LIMITATIONS ON HOW LONG AN IMPLIED WARRANTY LASTS, SO THE ABOVE LIMITATIONS MAY NOT APPLY TO YOU.

IF THIS PRODUCT IS NOT IN GOOD WORKING ORDER AS WARRANTED ABOVE, YOUR SOLE REMEDY SHALL BE REPAIR OR REPLACEMENT AS PROVIDED ABOVE. IN NO EVENT WILL IBM BE LIABLE TO YOU FOR ANY DAMAGES, INCLUDING ANY LOST PROFITS, LOST SAVINGS OR OTHER INCIDENTAL OR CONSEQUENTIAL DAMAGES ARISING OUT OF THE USE OF OR INABILITY TO USE SUCH PRODUCT, EVEN IF IBM OR AN AUTHORIZED IBM PERSONAL COMPUTER DEALER HAS BEEN ADVISED OF THE POSSIBILITY OF SUCH DAMAGES, OR FOR ANY CLAIM BY ANY OTHER PARTY.

SOME STATES DO NOT ALLOW THE EXCLUSION OR LIMITATION OF INCIDENTAL OR CONSEQUENTIAL DAMAGES FOR CONSUMER PRODUCTS, SO THE ABOVE LIMITATIONS OR EXCLUSIONS MAY NOT APPLY TO YOU.

THIS WARRANTY GIVES YOU SPECIFIC LEGAL RIGHTS, AND YOU MAY ALSO HAVE OTHER RIGHTS WHICH MAY VARY FROM STATE TO STATE.

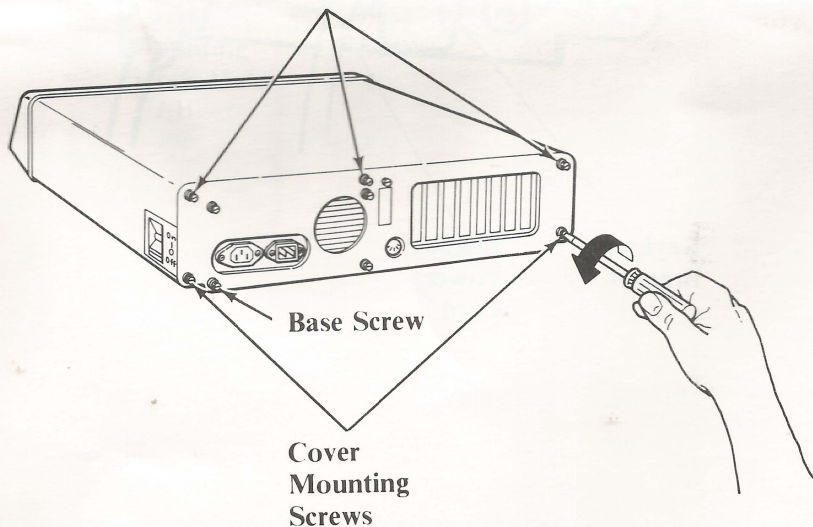
Tool Required

- Medium-size, flat-blade screwdriver.

Installation Instructions

1. Set the Power switch on the system unit or expansion unit to Off.
2. Unplug the system unit's or expansion unit's power cord from the wall outlet.
3. Position the unit to allow access to the rear.
4. Remove any external options (such as the display) from the top of the system unit or expansion unit.
5. Use a flat-blade screwdriver and remove the cover mounting screws along with the base screw indicated in the figure below. Save these screws for later use.

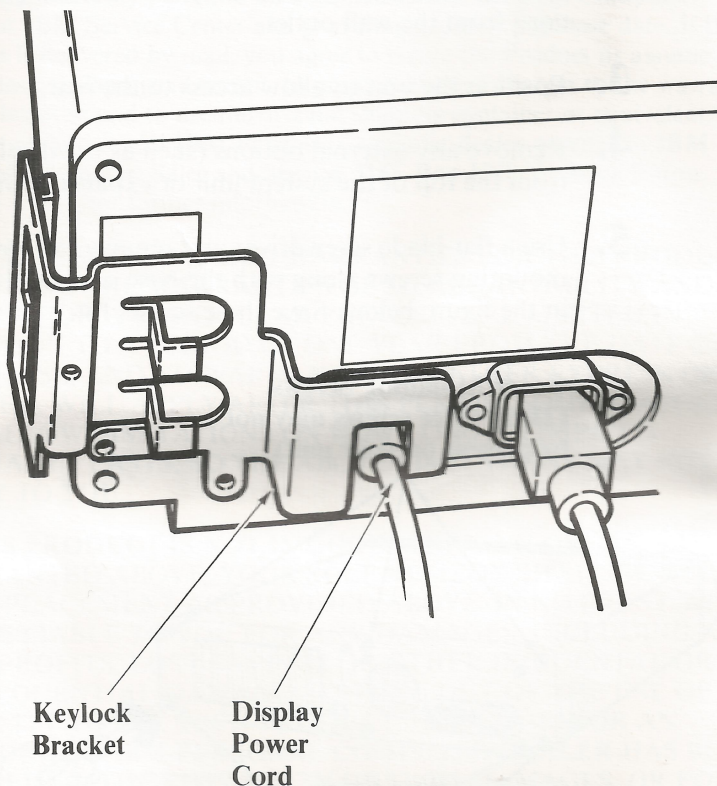
Cover Mounting Screws
(These three screws may not
be present on your unit)



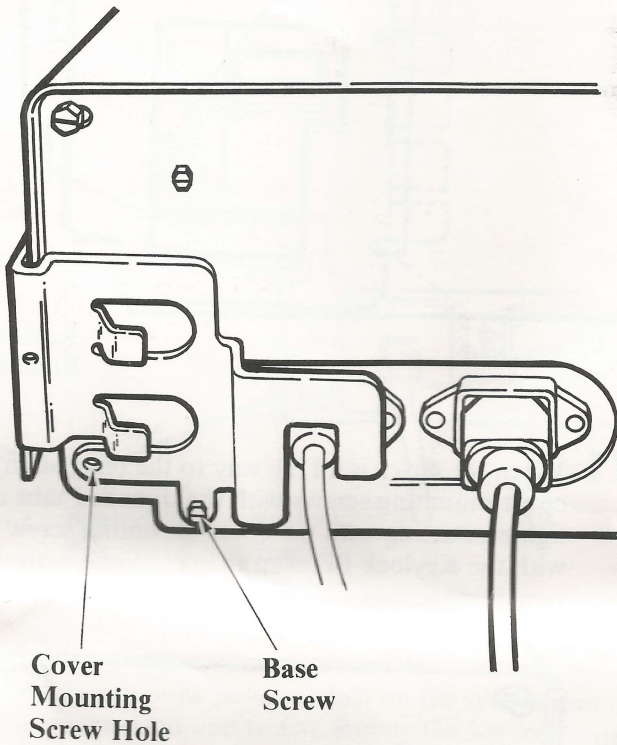
6. Carefully slide the unit's cover away from the rear approximately one (1) inch.

Note: If your display's power cord does not plug into the rear of the unit, insert the Display Dummy Plug into the display power cord receptacle before placing the Keylock Bracket on the system unit or expansion unit.

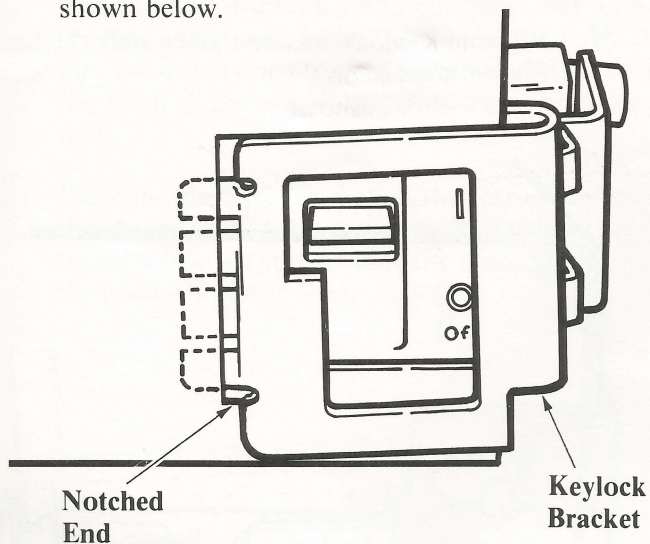
7. Place the Keylock Bracket on the rear of the unit on the corner nearest the power switch as shown in the figure below. Be sure to slide the notched area over the display's power cord.



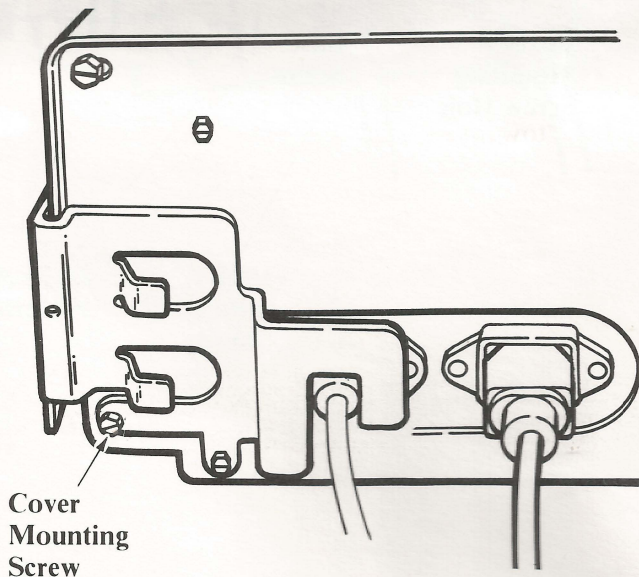
8. Slide the Keylock Bracket down until the two bottom holes on the bracket align with the bottom cover mounting screw hole and the base screw hole.
9. When aligned, insert and tighten **only** the base screw, (the smallest screw).



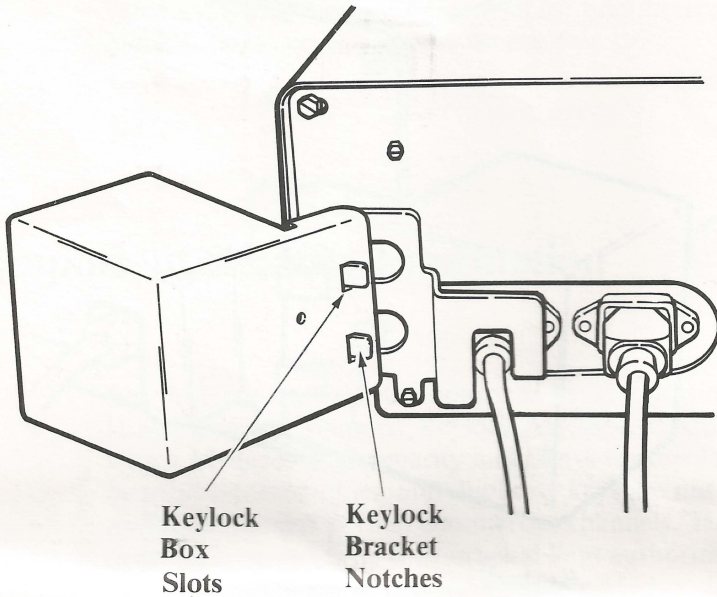
10. Carefully slide the unit's cover back toward the rear of the unit. **Important:** Be sure the notch at the end of the bracket is on the **inside** of the unit's cover as shown below.



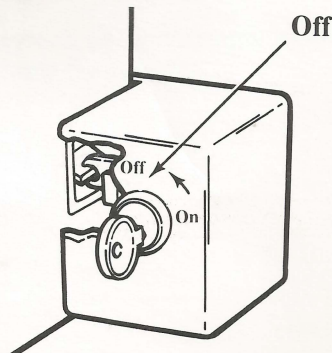
11. When the cover is all the way to the rear, align the cover mounting screws with the threaded tabs and tighten starting with the cover mounting screw aligned with the Keylock Bracket, then continue with the remaining screws.



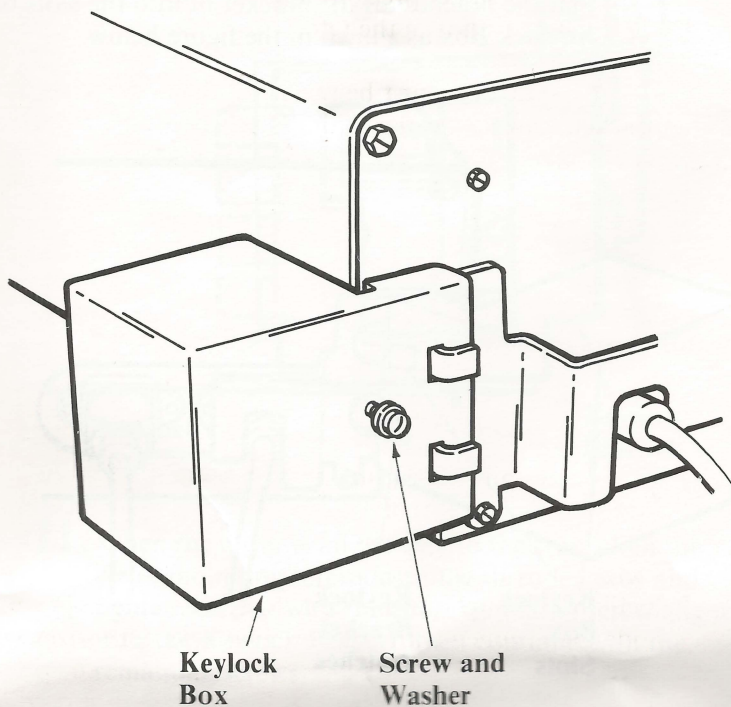
12. Insert one of the keys from the kit package into the lock on the Keylock Box. Turn the key to the On position.
13. Place the Keylock Box on the Keylock Bracket so that the notches on the bracket fit into the slots on the Keylock Box as shown in the figure below.



14. Position the power switch on the system unit or expansion unit to On. Rotate the Keylock Box toward the side of the unit until they touch. Turn the key to the Off position.



- 15.** Insert the screw and washer (included with this kit) into the rear of the Keylock Box and tighten. Installation is now complete.



Additional Information

Your key must be used to turn the unit's power switch on and off. As a safety precaution, the key can only be removed when it is in the Off position.

The Keylock Box must be removed for unit service. The bracket, however, can remain on the unit.

Important Security Information

For protection against unauthorized key duplication, your IBM Personal Computer Keylock Assembly is equipped with a Medeco® high security lock. Keys for this lock are a factory restricted series, and duplicate keys are **not** available through normal commercial channels. The metal code tag supplied with your original keys authorizes you to purchase additional keys direct from the Medeco factory. The additional key supplied and the metal tag should be stored in a secured area.

Make a copy of the official order form on the back of this page and send it to the address printed on the form. As a safety precaution, Medeco will not honor orders that do not include both the code tag and the official order form.

Should the keylock option become inoperative, contact your point of sale for removal.

Key Reorder Form

This form, when accompanied by the metal code tag supplied with the original keys, represents an IBM authorized order for additional factory restricted keys.

The cost per key is \$3.50

Please indicate the quantity required and enclose a check or money order for the appropriate amount.

Number of Keys Required _____

Please Type or Print Your Return Address

Name _____

Address _____

City _____

State _____ Zip _____

Mail this form to:

Medeco
Dept. KLC
P.O. Box 1075
Salem, VA 24153

Your key tag will be returned with your new keys.

Note: No orders will be processed without both the key tag and this official form.

Notes: