



*Personal Computer
Hardware Reference
Library*

IBM Color Display

IBM Color Display

6361470



Contents

Description	1
Specifications	3
Logic Diagram	5



Description

The IBM Color Display connects to the system unit with a signal cable of approximately 1.5 meters (5 feet) in length. This signal cable is a direct-drive interface from the Color/Graphics Monitor Adapter.

A second cable provides power to the display from an electrical outlet. The display unit has its own power control and indicator and will accept either 120-volt 60-Hz or 220-volt 50-Hz power. The power supply in the display automatically switches to match the applied power.

The display has a 340-millimeter (13-inch) CRT. The display may be placed on the system unit or on a nearby table or desk. The front panel of the display has a Power-On control, Power-On indicator, Brightness control, and Contrast control. The rear panel has the Vertical Hold and Vertical Size controls.

The characteristics of the IBM Color Display are as follows:

- Screen
 - High contrast (black).
 - Displays up to 16 colors when used with the IBM Color/Graphics Monitor Adapter.
 - Presentation of 80 characters wide by 25 rows deep.
 - Characters are defined in an 8 PEL-high by 8 PEL-wide matrix.
- Video Signal
 - Red, green, and blue signals, and intensity are independent.

- **Vertical Drive**
 - Positive synchronous, TTL-compatible
 - Frequency 50/60 Hz
 - Non-interlaced operation
- **Horizontal Drive**
 - Positive-level, TTL compatibility, at a frequency of 15.75 kHz.



Specifications

Size	
Height	297 mm (11.7 in.)
Length	392 mm (15.4 in.)
Depth	407 mm (15.6 in.)
Weight	
	11.8 kg (26 lb)
Heat Output	
	240 BTU/hr
Power Cable	
Length	1.83 m (6 ft)
Size	18 AWG
Signal Cable	
Length	1.5 m (5 ft)
Size	22 AWG

Physical Specifications

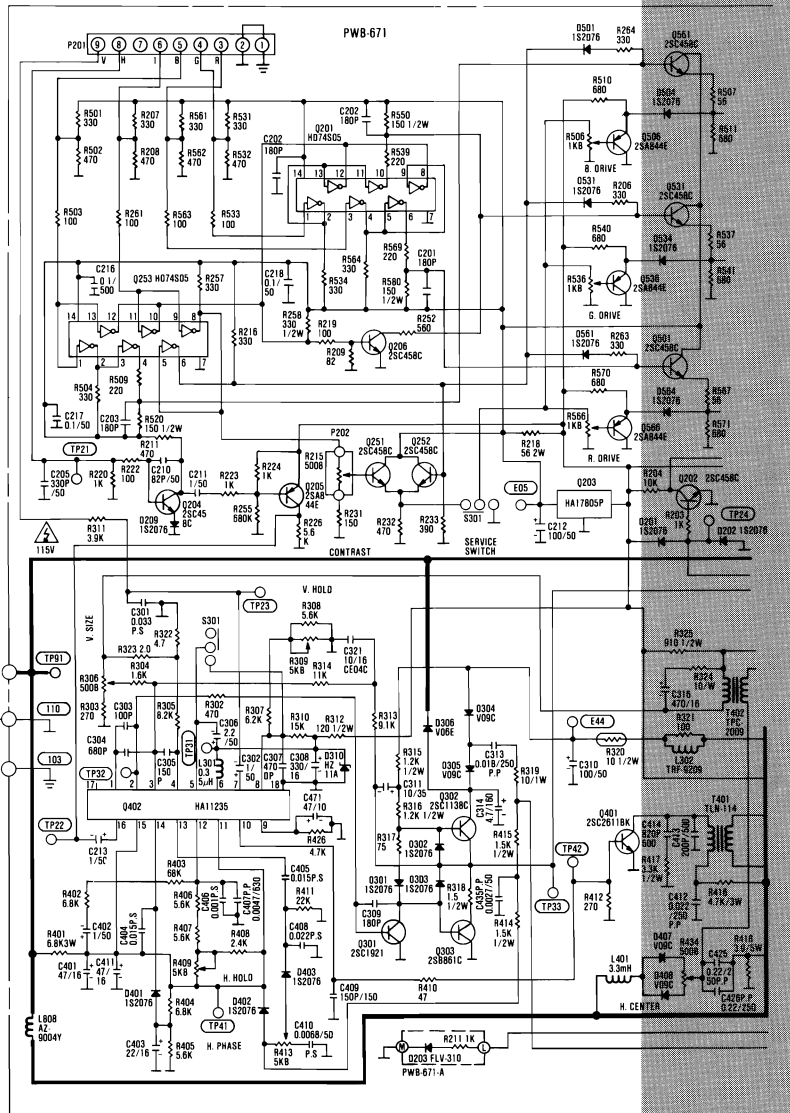


Logic Diagram

The following pages contain the logic diagram for the IBM Color Display.

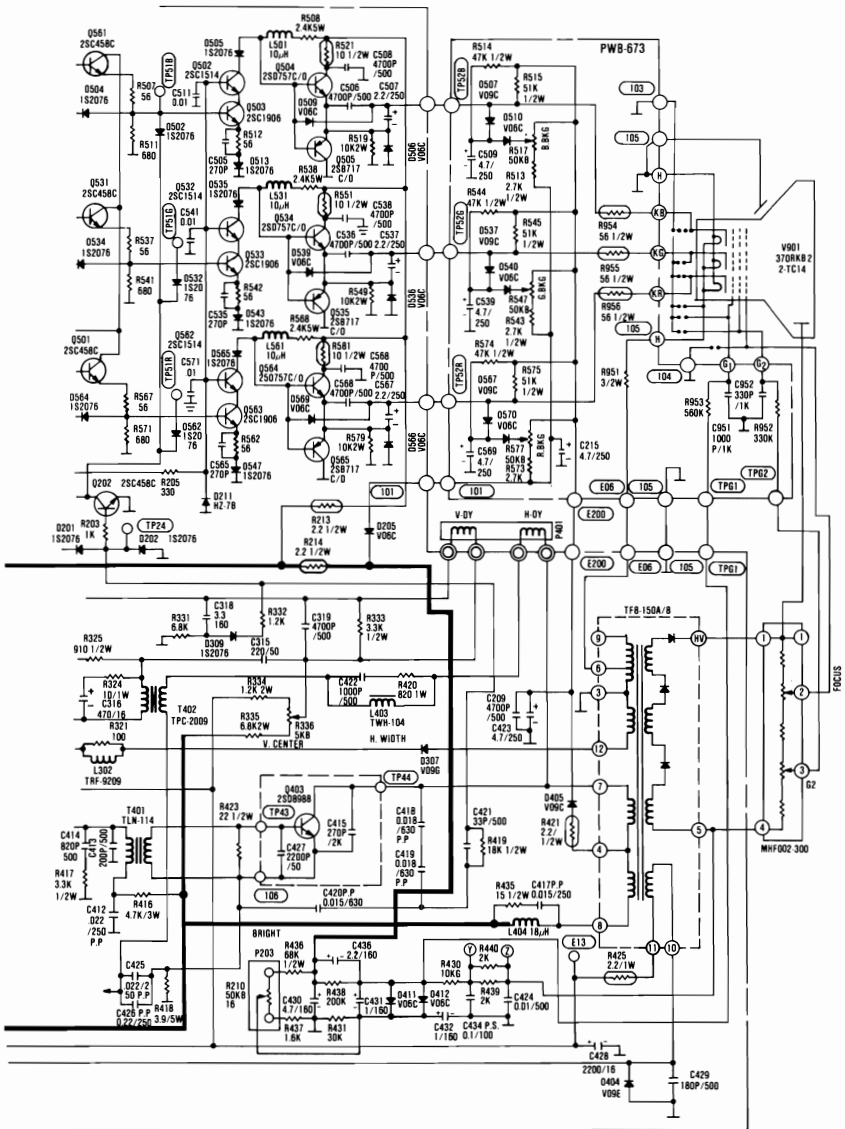


DANGER
HAZARDOUS VOLTAGES
UP TO 450 VOLTS EXIST
ON THE PRINTED
CIRCUIT BOARDS



Color Display (Sheet 1 of 1)

DANGER
HAZARDOUS VOLTAGES
UP TO 450 VOLTS EXIST
ON THE PRINTED
CIRCUIT BOARDS



Notes:

